



Citylights™ Aluminum Blinds

PROGRAM REFERENCE GUIDE



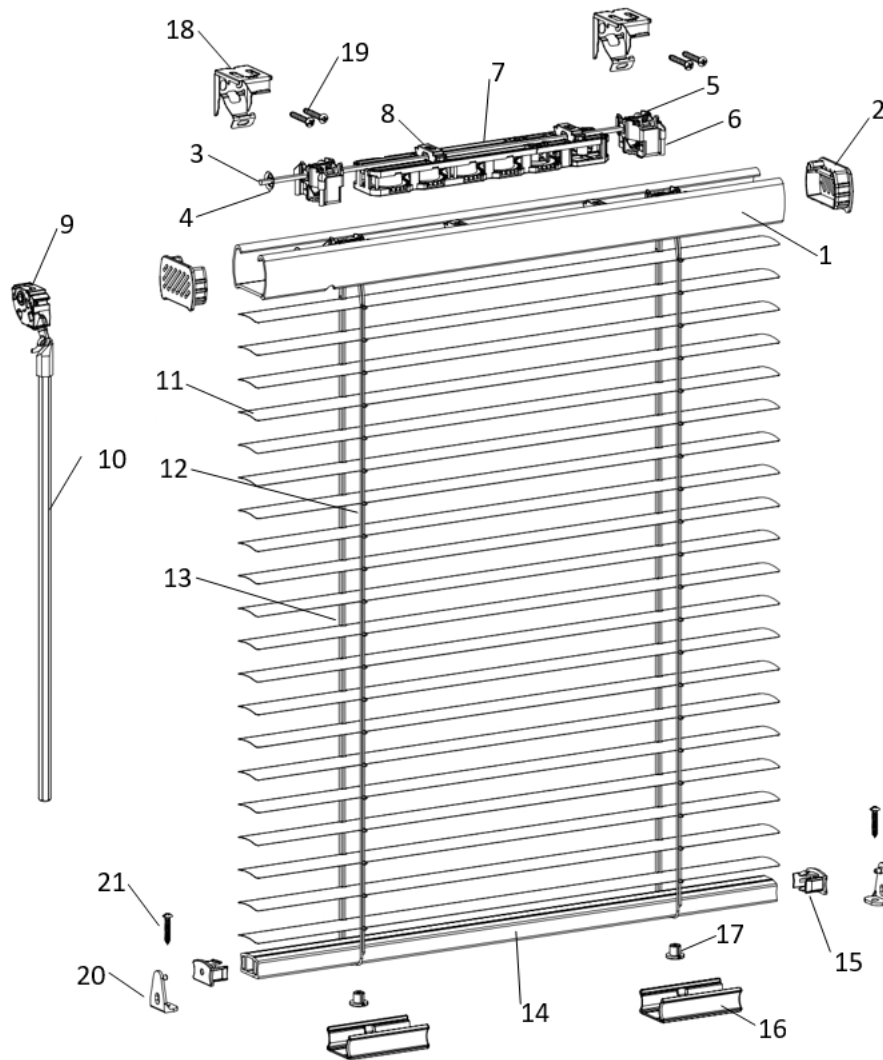
Date	Revision
10/21/2025	Pg 18,20 : Change color coordination for 7511 Sugar Maple.
9/8/2025	<ul style="list-style-type: none">• Update Ladder and Cord quantity standard for 2" blind
11/11/2024	<ul style="list-style-type: none">• Update drawing of hold down bracket for 2" blinds. Update the quantity of hold down bracket and screws
9/11/2024	<ul style="list-style-type: none">• Update drawing of hold down bracket for ½" and 1" blinds.• Update the quantity of hold down bracket and screws
9/1/2024	<ul style="list-style-type: none">• 2" Blinds: 17 ¾" wand becomes shortest default wand. 24" wand drop added. 11 ¾" wand drop removed.
5/1/2024	<ul style="list-style-type: none">• Adding 60" optional wand drop size for ½" and 1" blinds.• Adding Side by Side option
7/1/2023	New program

	Page
Features and Benefits	<u>4</u>
Terminology	<u>5 – 6</u>
General Specifications	<u>7 – 10</u>
Color Availability	<u>11</u>
Mounting Depths	<u>12 –</u> <u>13</u>
Parts and Hardware	<u>14 –</u> <u>15</u>
Operating your blinds	<u>16</u>
Color Coordination Charts	<u>17 –</u>
Rail Colors	<u>18</u>
	<u>19 –</u> <u>20</u>

- Premium .008 Gauge slats come standard.
- Slats are treated with Advanced Finished Technology, providing a smooth, rigid, less porous surface. AFT delivers anti-static performance to repel dust and antimicrobial qualities to resist fungal and bacterial growth.
- Curved, valance-free decorative headrail
- Versatile palette of 33 colors
- Standard (no charge) Best for Kids certified cordless operation for optimal safety
- Hidden brackets for a streamlined appearance
- SmartPrivacy® comes standard in 2" aluminum blinds.
- Optional privacy slats for a more seamless appearance and enhanced light control (1" & 2" slats)
- New mounting bracket design allows for mounting in shallow windows
- Suitable for high-moisture areas

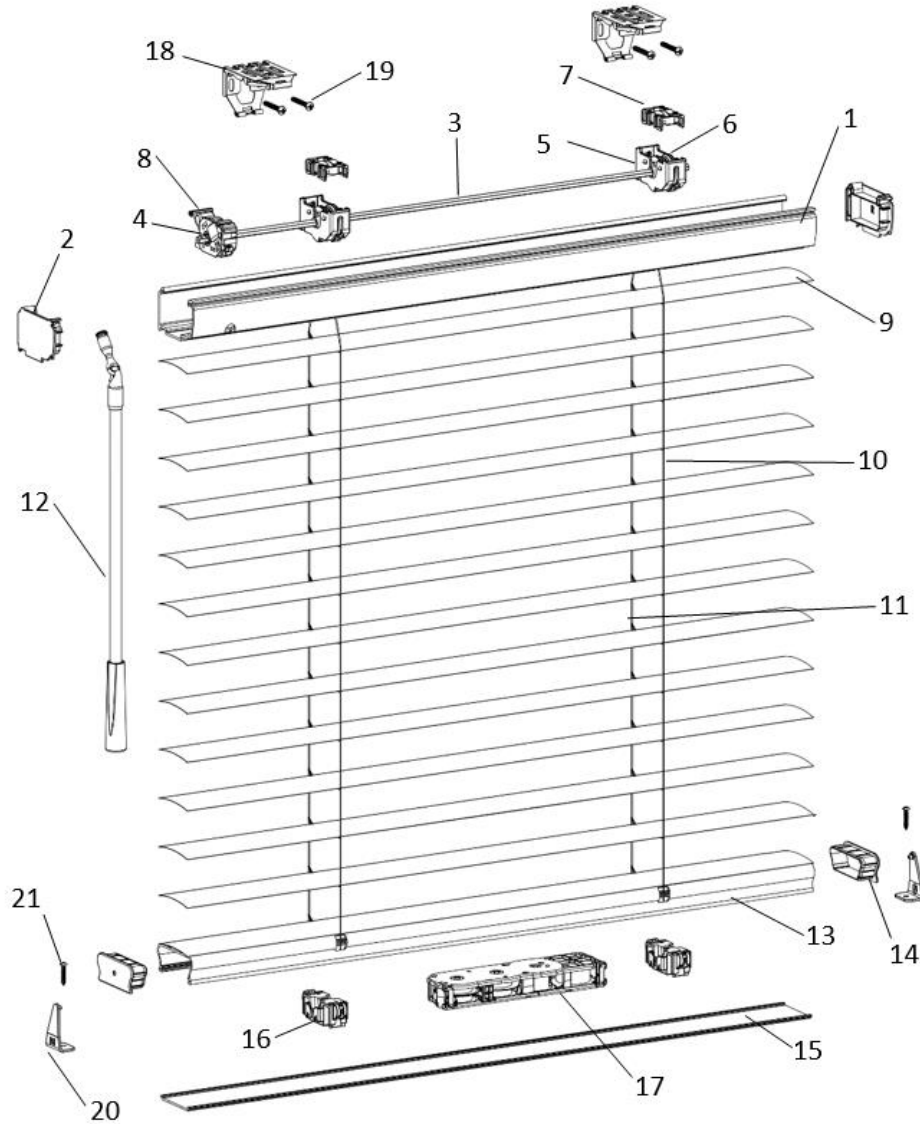


CityLights™ 1/2" & 1" Cordless Aluminium Blind



No	Description	No	Description	No	Description
1	Head Rail (PVC-High Glossiness)	8	Fixed Block for Spring Box	15	Bottom Rail End Cap
2	Head Rail End Cap	9	Wand Tilter	16	Handle
3	Tilt Rod	10	Wand Set	17	Bottom Rail Button
4	Ring Stopper	11	Slat	18	Installation Bracket
5	Drum	12	Ladder Cord	19	Screw for Installation Bracket
6	Drum Support	13	Inner Cord	20	Hold Down Bracket (Optional)
7	Spring Box	14	Bottom Rail (PVC-High Glossiness)	21	Screw for Hold Down Bracket (Optional)

CityLights™ 2" Aluminium Cordless Blind



No	Description	No	Description	No	Description
1	Head Rail (PVC)	8	Wand Tilter	15	Bottom Rail Cover
2	Head Rail End Cap	9	Slat	16	Cord Guide
3	Tilt Rod	10	Ladder	17	Spring Box
4	Ring Stopper	11	Inner Cord	18	Installation Bracket (Top/Back Mount)
5	Drum Support	12	Wand Set	19	Screw for Installation Bracket
6	Drum	13	Bottom Rail (PVC)	20	Hold Down Bracket (Optional)
7	Drum Cap	14	Bottom Rail End Cap	21	Screw for Hold Down Bracket (Optional)

Size Considerations

	Single Blind	Min.	Max.	Max Area
1/2" & 1" Cordless	Blind Width (Net)	9"	78"	50 sq.ft
	Blind Length	10"	96"	
2" Cordless	Blind Width (Net)	10 1/2"	96"	48 sq.ft
	Blind Length	16"	96"	

- Please consider the max area; max width & max length cannot be ordered as one blind.
- 2 on 1 blinds & cut-outs are not available

*Side Mount brackets are available for 2" Blinds and are available for all widths (IB). Top mount brackets are required and will be provided to be used in conjunction with side mount brackets for widths over 37".

Standard Deductions & Order Size Definition

	OB	IB
Blind Width	Order Width	Order Width – 3/8"
Blind Length	Order Height	Order Height

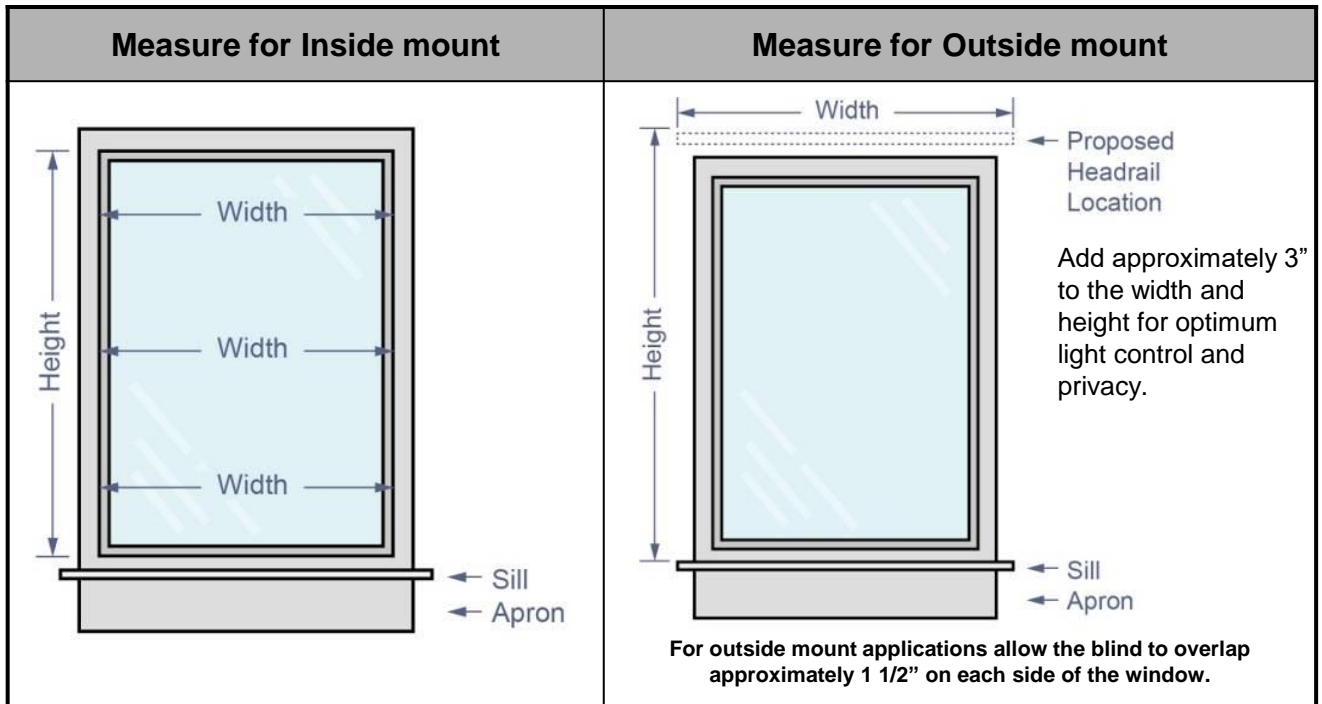
*Blind width: Measure from left end point to right end point of the slat.

*Blind length: Measure from top edge of head rail to bottom edge of bottom rail with slats in open position. Please make sure the bottom rail is lowered all the way while measuring.

* Tolerance:

Blind width (Net) may vary - 1/8" ~ +1/8".

Blind height may vary up to 0~+3/4" for 1/2" & 1" Blind, and 0~+2 1/4" for 2" blind while the blind is open.



Blind Width(Net)(X)	Handle
$X \geq 15"$	2

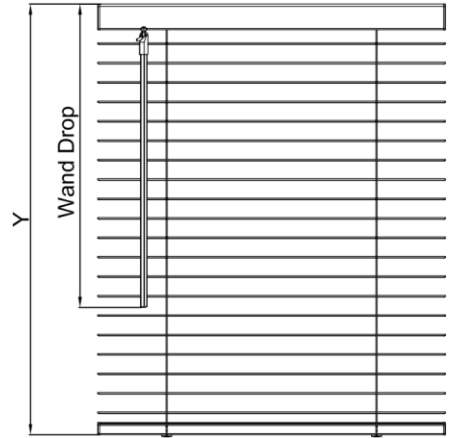
*Handle is not available for 2" blinds. Blinds less than 15" wide will have no lift function and no handle.

Wand Control Location

	Control	Blind Width (Net) (X)
1/2" & 1" Cordless	Center Tilt (no lift function)	$9" \leq X < 15"$
	Left(Default) / Right (Optional)	$X \geq 15"$
2" Cordless	Center Tilt (no lift function)	$10 \frac{1}{2}" \leq X < 15"$
	Left(Default) / Right (Optional)	$X \geq 15"$

Wand drop

- Standard wand drop sizes will be used based on the blind's height. See chart below.
- Non-default wand drop may be selected
- The wand will be split into two pieces when the wand length exceeds the blind width.
- Custom wand drop of 47 ¼" and 60" will always be split for 2" blinds, and may be split for ½" & 1" blinds.
- Wand drop definition: When slats are in level opening position, wand drop is measured from the top of head rail to the bottom of wand grip.
- When specifying the wand drop, it refers to the drop of a wand, not the actual length of wand.



Wand Drop default for ½" & 1" (clear wand)

Blind Length(Y)	Blind Width(X) (for split wand)	Wand Drop (From top of head rail to bottom of wand)	Custom Wand Drop	Tolerance
$Y \leq 36"$	$9" \leq X < 15 \frac{7}{8}"$	17"	17" 21" 24" 30" 36" 48" 60"	Wand length/ wand drop tolerance: 0", -1"
$36" < Y \leq 48"$	$9" \leq X < 19 \frac{7}{8}"$	21"		
$48" < Y \leq 60"$	$9" \leq X < 22 \frac{7}{8}"$	24"		
$60" < Y \leq 72"$	$9" \leq X < 28 \frac{7}{8}"$	30"		
$72" < Y \leq 84"$	$9" \leq X < 34 \frac{7}{8}"$	36"		
$84" < Y \leq 96"$	$9" \leq X < 46 \frac{7}{8}"$	48"		

Wand Drop default for 2" (color-coordinated wand)

Blind Length(Y)	Blind Width (Net)(X)	Wand Drop (From top of head rail to bottom of wand grip)	Custom Wand Drop	Tolerance
$Y \leq 36"$	All	17 3/4"	17 3/4" 24" 29 3/4" 38 1/4" 47 1/4" 60"	Wand length / wand drop tolerance: -1" ~ +1"
$36" < Y \leq 48"$	All	24"		
$48" < Y \leq 72"$	All	29 3/4"		
$72" < Y \leq 96"$	All	38 1/4"		

Ladder and Cord Quantity Standards

½” Regular Route Hole

Blind Width (Net)(X)	# of Ladders	# of Cords
$X \leq 28"$	2	2
$28" < X \leq 39"$	3	2
$39" < X \leq 44"$	3	3
$44" < X \leq 60"$	4	4
$60" < X \leq 76"$	5	5
$76" < X \leq 78"$	6	6

1” Privacy (optional)

Blind Width (Net)(X)	# of Ladders	# of Cords
$X \leq 32"$	2	4
$32" < X \leq 39"$	3	4
$39" < X \leq 52"$	3	5
$52" < X \leq 60"$	4	4
$60" < X \leq 72"$	4	6
$72" < X \leq 78"$	5	5

1” Regular Route Hole (default)

Blind Width(Net)(X)	# of Ladders	# of Cords
$X \leq 32"$	2	2
$32" < X \leq 39"$	3	2
$39" < X \leq 52"$	3	3
$52" < X \leq 72"$	4	4
$72" < X \leq 78"$	5	5

2” SmartPrivacy®

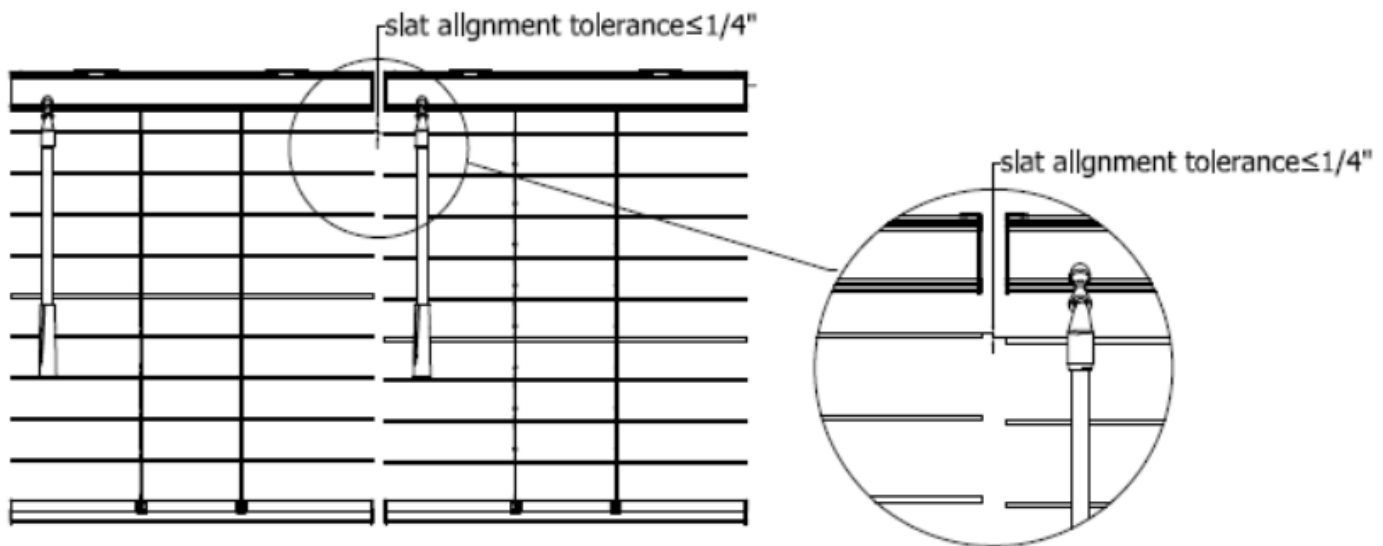
Blind Width(Net)(X)	# of Ladders	# of Cords	Remark
$X \leq 37"$	2	4	
$37" < X \leq 48"$	3	4	
$48" < X \leq 72"$	4	4	$Y \leq 84"$
$48" < X \leq 67"$	4	4	$Y > 84"$
$67" < X \leq 72"$	4	8	$Y > 84"$
$72" < X \leq 87"$	4	8	
$87" < X \leq 96"$	5	8	

Side by side (Optional): only available for blinds within the same order

Side by side blinds must have the following:

- Same order height
- Same mount type
- Same slat size
- Same slat route type (for 1" slats only)
- Same color & collection
- Within the same order

When selecting the Side by Side option, and when the above conditions are met, the slat alignment is about $\leq 1/4"$.



Note: If Side by Side is not specified, the slat alignment is not guaranteed and the slat qty of the blinds may be different even the blinds meet the above conditions. This is due to the unique characteristics of the cordless mechanism.

1/2" Micro Slats: 20 colors

1" Slats: 30 colors

2" Slats: 16 colors

8 gauge slat thickness for all slat sizes = 0.21mm

Color Availability

No.	Color Code	Color Name	1/2" Micro Slats	1" Slats	2" Slats	Color Collection
1	7021	Antique Lace	✓	✓	✓	
2	7022	Beige	✓	✓	✓	
3	7023	Vanilla	✓	✓	✓	
4	7024	Pure White	✓	✓	✓	
5	7026	Bright White	✓	✓	✓	
6	7102	*Brushed Aluminum	✓	✓	✓	Metallic
7	7103	*Silver Moon	✓	✓	✓	Metallic
8	7105	*Platinum	✓	✓	✓	Metallic
9	7201	Black	✓	✓	✓	
10	7402	*Bronze	✓	✓	✓	Metallic
11	7507	Bisque	✓	✓	✓	
12	7511	Sugar Maple	✓	✓	✓	
13	7027	*Pure White	✓	✓		Perforated
14	7109	*Metallic Bronze	✓	✓		Metallic
15	7111	*Silver	✓	✓		Perforated
16	7309	Strawberry Cream	✓	✓		
17	7510	Harvest Gold	✓	✓		
18	7604	Deep Ivy	✓	✓		
19	7712	Royal Blue	✓	✓		
20	7713	Sky	✓	✓		
21	7030	White Snow		✓	✓	
22	7029	*Champagne		✓		Textured
23	7031	*Porcelain		✓		Matte finish
24	7112	Moonshine		✓		
25	7113	Iconic Gray		✓		
26	7114	Warm Taupe		✓		
27	7115	Gray Cashmere		✓		
28	7205	*Midnight		✓		Matte finish
29	7206	Peppercorn		✓		
30	7403	*Metallic Dark Copper		✓		Metallic
31	7020	Ivory			✓	
32	7203	Dark Earth			✓	
33	7204	Tarmac			✓	

***Additional surcharge applies**

Inside Mount for 1/2" & 1"

Mounting Type	Fully IB Depth Requirement	Semi-IB with Min. Depth Requirement
Mounting Depth Requirement	1 15/16"	1 1/4"
Drawing		

Inside Mount for 2" (With screws in standard mounting holes)

Mount Type	Fully IB Depth Requirement	Semi-IB w/ Min. Depth Requirement
Mounting Depth Requirement	2 11/16"	1 5/8"
Drawing		

Semi-Inside Mount for 2" (With screws in shallow mounting holes)

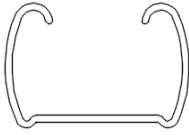
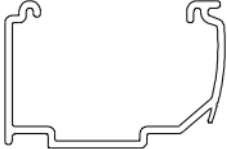
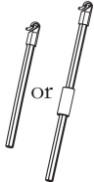
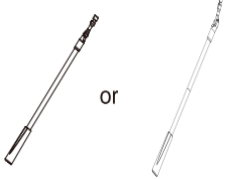
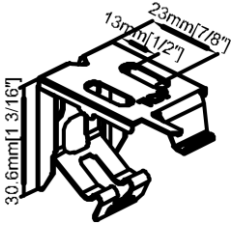
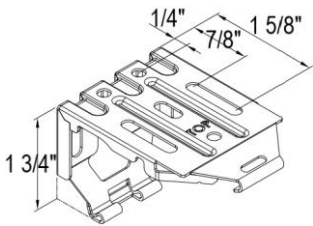
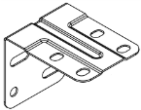
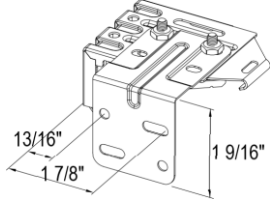
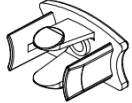
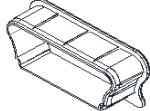

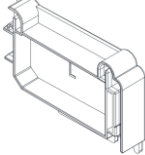
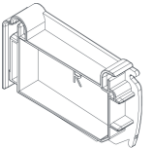
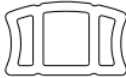



Mounting Type	Semi-IB with shallow depth
Mounting Depth Requirement	15/16"
Drawing	

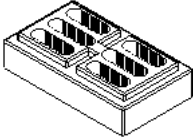

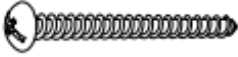

**Side Mount Supporting Bracket (optional for IB only, width up to 37")
For 2" Cordless (not available for 1/2" and 1")**

Mounting Type	Fully Side Mount Depth Requirement	Semi-side Mount with Min. Depth Requirement
Mounting Depth Requirement	2 11/16"	1 5/8"
Drawing		

* Side mount is not available for shallow window mounting.

* Side mount is not available for 1/2" & 1" cordless alum. blind.

Item	1/2" Micro Slat & 1" Slat	2" Slat
PolyDeco Head Rail	 <p>(High Glossiness)</p>	 <p>(Ultimate)</p>
Wand Set	 <p>or</p>	 <p>or</p>
Installation Bracket (Top/Back Mount)		
Side Mount Supporting Bracket Kit (Optional for 2")	N/A	
Illustration only you need to attach the side mount supporting bracket to installation bracket when side mount bracket is required	N/A	
End cap for Bottom Rail		
End cap for Head Rail		 <p>Left</p>  <p>Right</p>
Bottom Rail	 <p>(High Glossiness)</p>	 <p>(Ultimate)</p>
Hold Down Bracket (optional)		

Item	1/2" Micro Slat & 1" Slat	2" Slat
Shim (Optional for outside mount only) 3/8" thickness for one layer 11/16" thickness for two layers		
1 1/4" Screw (For Installation bracket and Side Mount Supporting Bracket)		
2" Screw (Optional for installation bracket with shim)		
3/4" Screw (For Hold down bracket)		

Screws Qty

Screws	Qty	Remarks
1 1/4" Screw	Installation bracket qty x 2	For both top/back mount and side mount supporting bracket
2" Screw (with Shim)	Installation bracket qty x 2	For Top/Back mount only
M4 Nut & Bolt	4	For side mount only
3/4" Screw	Hold Down Bracket qty x1	

Hold Down Bracket Qty

Hold Down Bracket	#6x 3/4" Screw(for Hold Down Bracket)	Remarks
2	2	Optional

Installation Bracket & Shim Qty Standard

1/2" & 1" Cordless

Blind Width (Net)(X)	Installation Bracket	1 set Shim	2 sets Shim
$X \leq 37"$	2	2	4
$37" < X \leq 60"$	3	3	6
$60" < X \leq 78"$	4	4	8

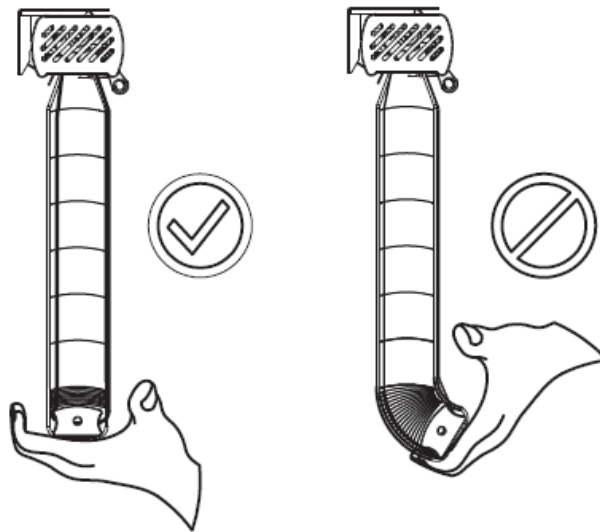
2" Cordless

Blind Width (Net)(X)	Installation Bracket	1 set Shim	2 sets Shim
$X \leq 37"$	2	2	4
$37" < X \leq 47"$	3	3	6
$47" < X \leq 75"$	4	4	8
$75" < X \leq 96"$	5	5	10

Raising the blind: Gently *tilt the slats level* before lifting the bottom rail up by hand.
***Do not put the slats in a closed up or closed down position when lifting the bottom rail.**

⚠ To avoid offset stacking (bottom rail not hanging straight downward), hold the bottom rail with both hands evenly, and lift/pull while keeping the underside of the bottom rail pointed straight down.

Avoid tilting the bottom rail forward or backward while raising or lowering the blind.



***Please note that one side of the ladder cord will contain small loops, which is normal. See example photo below:**



½" & 1" Color coordination chart

Color Code	Color Name	HeadRail / Bottom Rail	Cord/Ladder	1/2"(16mm)	1"(25mm)
7024	Pure White	20108 White	T001 White	V	V
7027	Pure White Perforated	20108 White	T001 White	V	V
7021	Antique Lace	20106 Bright White	5020 Alabaster	V	V
7022	Beige	20106 Bright White	5020 Alabaster	V	V
7026	Bright White	20106 Bright White	5020 Alabaster	V	V
7023	Vanilla	20107 Cream	5020 Alabaster	V	V
7102	Brushed Aluminum	2101 Silver Moon	5107 Silver	V	V
7103	Silver Moon	2101 Silver Moon	5107 Silver	V	V
7111	Silver Perforated	2101 Silver Moon	5107 Silver	V	V
7109	Metallic Bronze	2414 Metallic Bronze	5545Khaki	V	V
7105	Platinum	2102 Platinum	5115 Bright Steel	V	V
7201	Black	2201 Black	T201 Black	V	V
7309	Strawberry Cream	2304 Peach	5329 Petal Pink	V	V
7402	Bronze	2411 Bronze	5424 Dark Walnut	V	V
7507	Bisque	2502 Bisque	5020 Alabaster	V	V
7510	Harvest Gold	2503 Natural	5507 Natural	V	V
7511	Sugar Maple	2504 Sugar Maple	5526 Vottage Pine	V	V
7604	Deep Ivy	2601 Deep Ivy	5603 Green	V	V
7712	Royal Blue	2718 Navy Blue	5705 Navy Blue	V	V
7713	Sky	2707 Sea Blue	5711 Blue	V	V
7029	Champagne (textured)	20108 White	T001 White		V
7030	White Snow	20108 White	T001 White		V
7031	Porcelain	20106 Bright White	5020 Alabaster		V
7112	Moonshine	2103 Gray Cashmere	5107 Silver		V
7115	Gray Cashmere	2103 Gray Cashmere	5107 Silver		V
7113	Iconic Gray	2101 Silver Moon	5107 Silver		V
7114	Warm Taupe	2101 Silver Moon	5107 Silver		V
7206	Peppercorn	2102 Platinum	5115 Bright Steel		V
7205	Midnight	2201 Black	T201 Black		V
7403	Metallic Dark Copper	2410 Metallic Dark Copper	T201 Black		V

The following components are not color coordinated:

Installation bracket: zinc plated

Wand: transparent / clear

End caps: transparent / clear

Note: Hold down bracket color is clear

2" Color coordination chart

Color Code	Color Name	Head Rail/ Bottom Rail Bottom Rail Cover	End Cap	Wand	Installation Bracket	Cord/Ladder
7030	White Snow	20103 Designer White	20103 Designer White	2080 Pure White	3058 White	T001 White
7024	Pure White	20103 Designer White	20103 Designer White	2080 Pure White	3058 White	T001 White
7026	Bright White	2095 Pearl	2012 Cameo	2095 Pearl	H002 Vanilla	5020 Alabaster
7022	Beige	2095 Pearl	2012 Cameo	2095 Pearl	H002 Vanilla	5020 Alabaster
7020	Ivory	20102 Crisp Linen	2012 Cameo	20102 Crisp Linen	H002 Vanilla	5020 Alabaster
7021	Antique Lace	20102 Crisp Linen	2012 Cameo	20102 Crisp Linen	H002 Vanilla	5020 Alabaster
7023	Vanilla	20109 Vanilla	2012 Cameo	20109 Vanilla	H002 Vanilla	5020 Alabaster
7507	Bisque	2508 Bisque	2012 Cameo	2508 Bisque	H002 Vanilla	5020 Alabaster
7102	Brushed Aluminum	2149 Storm Gray	2139 Silver Gray	2149 Storm Gray	3149 Storm Gray	5107 Silver
7103	Silver Moon	2149 Storm Gray	2139 Silver Gray	2149 Storm Gray	3149 Storm Gray	5107 Silver
7402	Bronze	2437 Mahogany	2437 Mahogany	2437 Mahogany	3436 Coffee	5430 Mahogany
7511	Sugar Maple	2537 Oak Mantel	2522 Teak	2485 French Oak	3523 Sugar Maple	5526 Cottage Pine
7203	Dark Earth	2202 Black Walnut	2202 Black Walnut	2202 Black Walnut	3436 Coffee	T168 Gray
7105	Platinum	2148 Clay	2148 Clay	2148 Clay	3115 Bright Steel	T201 Black
7204	Tarmac	2148 Clay	2148 Clay	2148 Clay	3115 Bright Steel	T201 Black
7201	Black	2219 Matte Black	P201 Charcoal (Black)	2219 Matte Black	3208 Black	T201 Black

Note: Hold down bracket color is **Clear**

Rail colors for 1/2" & 1" Slats

White 20108



Bright White 20106



Cream 20107



Bisque 2502



Natural 2503



Silver Moon 2101



Gray Cashmere 2103



Metallic Bronze 2414



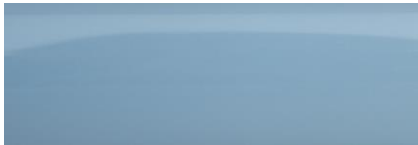
Peach 2304



Sugar Maple 2504



Sea Blue 2707



Deep Ivy 2601



Navy Blue 2718



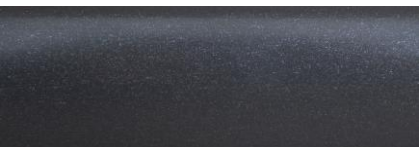
Metallic Dark Copper 2410



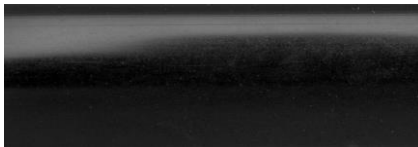
Bronze 2411



Platinum 2102

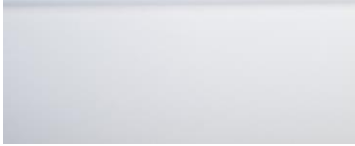


Black 2201

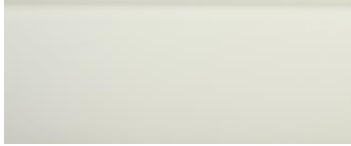


Rail colors for 2" Slats

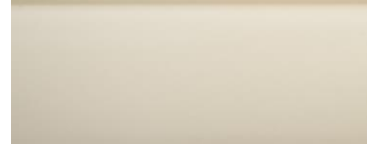
Designer White 20103



Pearl 2095



Crisp Linen 20102



Bisque 2508



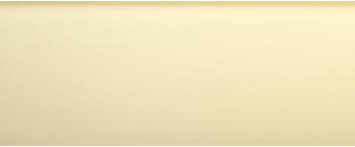
Oak Mantel 2537



Storm Gray 2149



Vanilla 20109



Mahogany 2437



Clay 2148



Black Walnut 2202



Matte Black 2219

